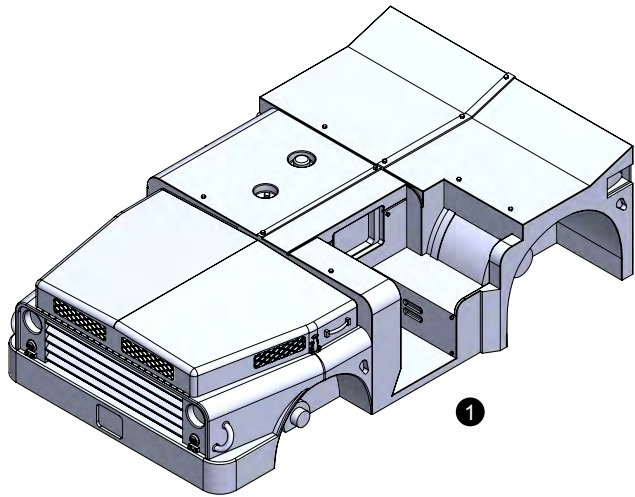
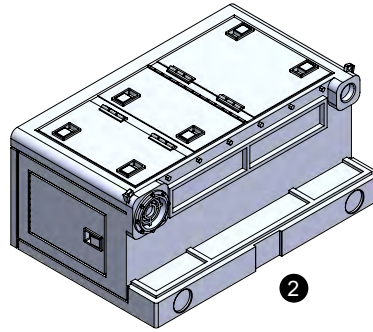


RESIN PARTS

2411032



1



2



3

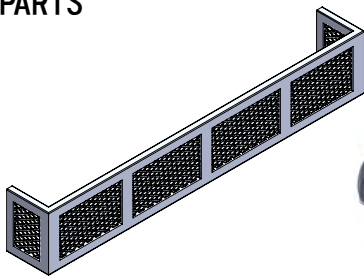


4

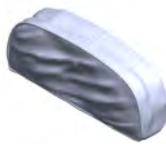


5

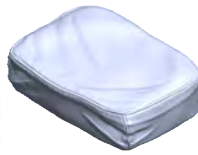
3D PARTS



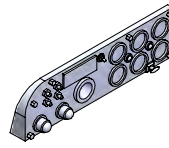
6



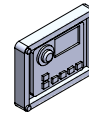
7



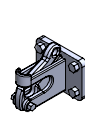
8



9



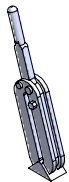
10



11



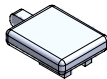
12



13



14



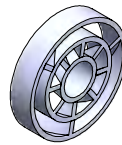
15



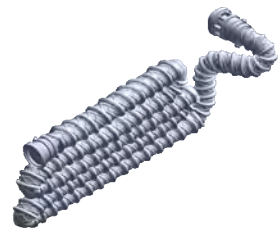
16



17



18



19

TRANSPARENT



20

DECALS



- 1 TURBINE INTAKE OPEN BEFORE USING UNIT
- 2 KEEP CLEAR PLANE OF ROTATION
- 3 KEEP CLEAR

4 OIL TANK FILL FROM INSIDE (SEE FIG. 1-25/26) OIL CAPACITY 2 1/2 GALS

5 PUMP AND FUEL FILTER INSIDE

6 GBPF QS J13S

7 TURBINE ACCESS

8 BATTERY COMPARTMENT

9 CAUTION FILL REAR AXLE WITH MIL-1-2105 LUBRICATION OIL

10 CAUTION FILL REAR AXLE WITH MIL-1-2105 LUBRICATION OIL

11 FUEL J1-5, DF2 85 GAL CAP

12 HYDRAULIC C BRAKE SYS (SEE FIG. 1-6) 6.5 GAL CAP

13 TURBINE ACCESS

14 TP 70 PSI

15 TP 70 PSI

16 TP 60 PSI

17 TP 60 PSI

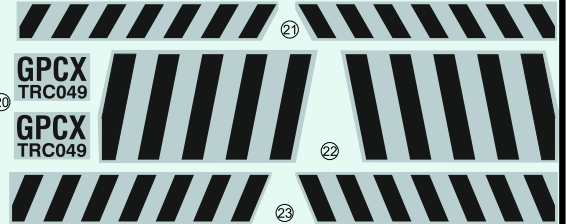
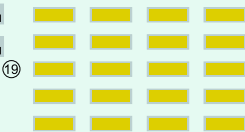
18 TIE DOWN

19 TIE DOWN

20 TIE DOWN

21 TIE DOWN

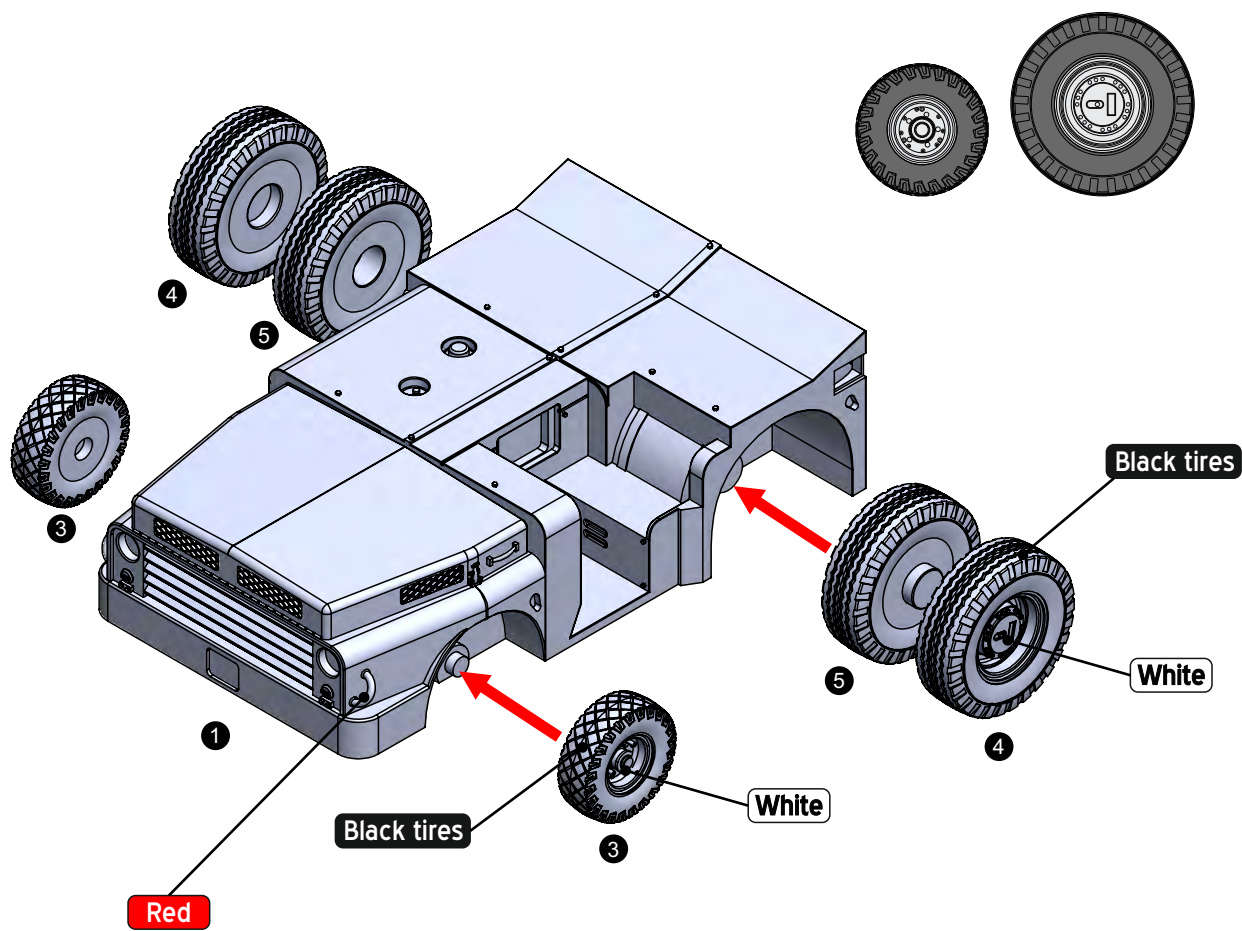
22 DO NOT LIFT OR JACK TRACTOR UNDER TURBINE



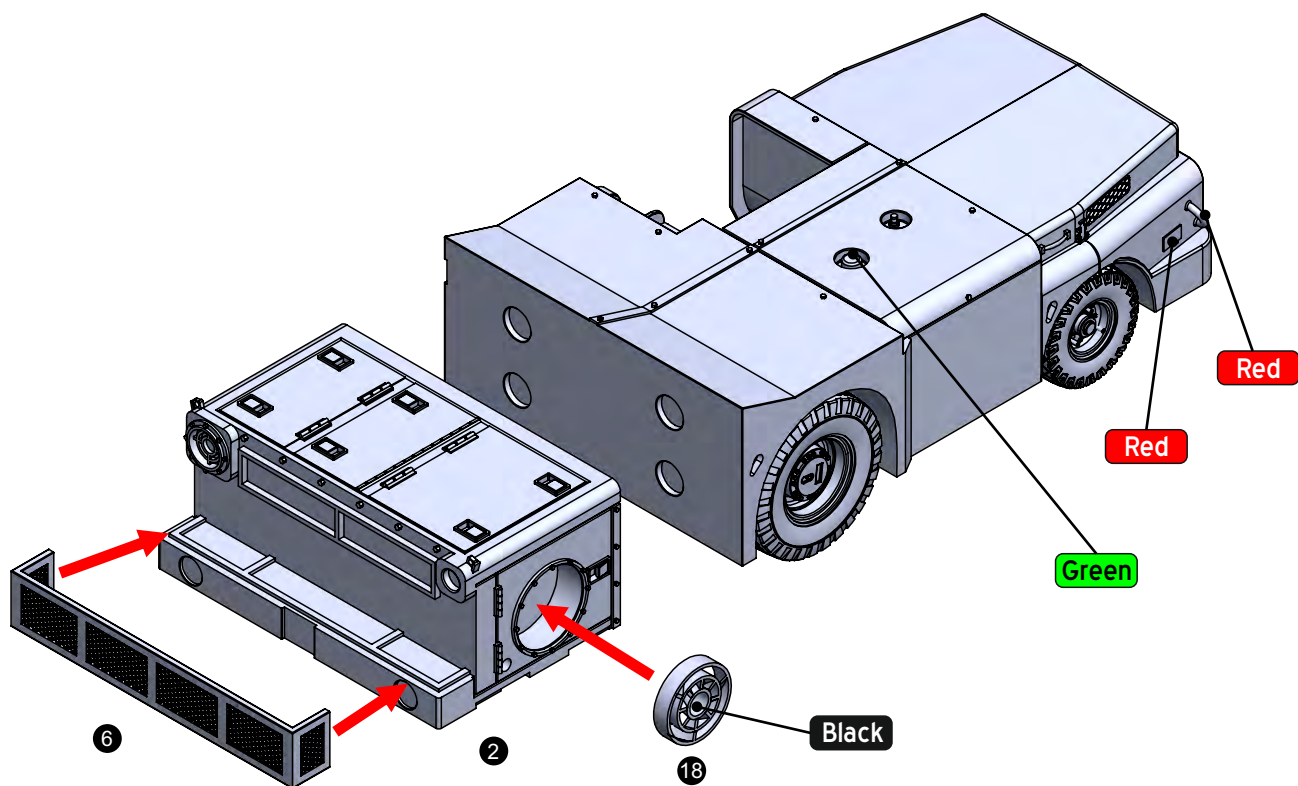
GPCX TRC049

GPCX TRC049

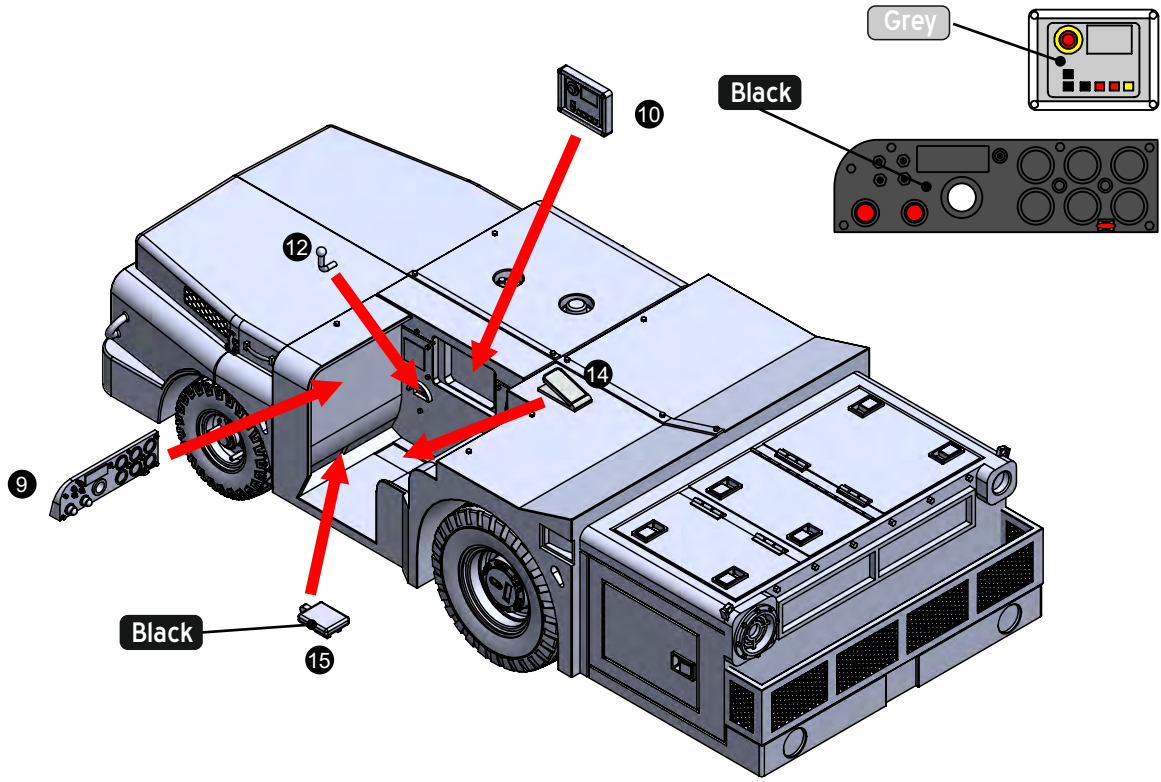
1



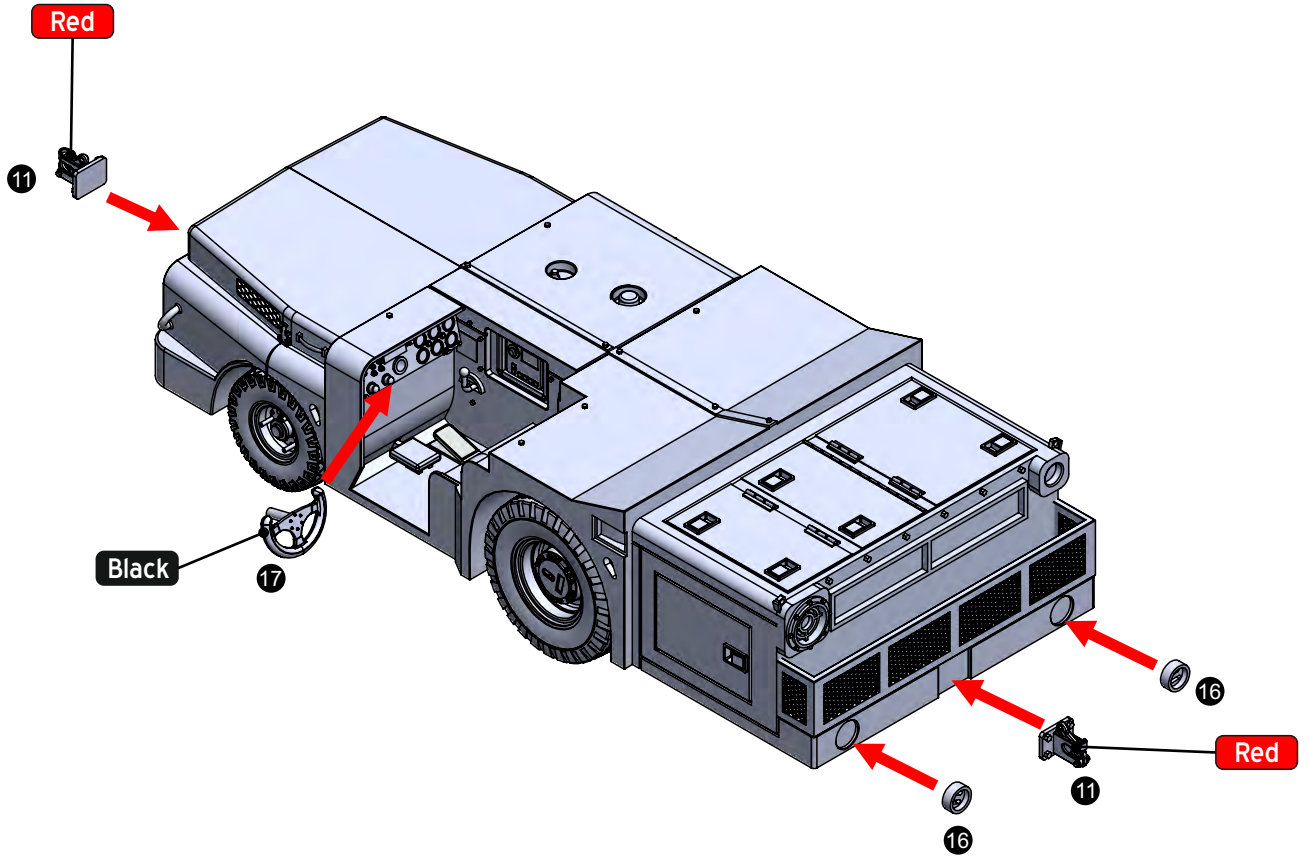
2



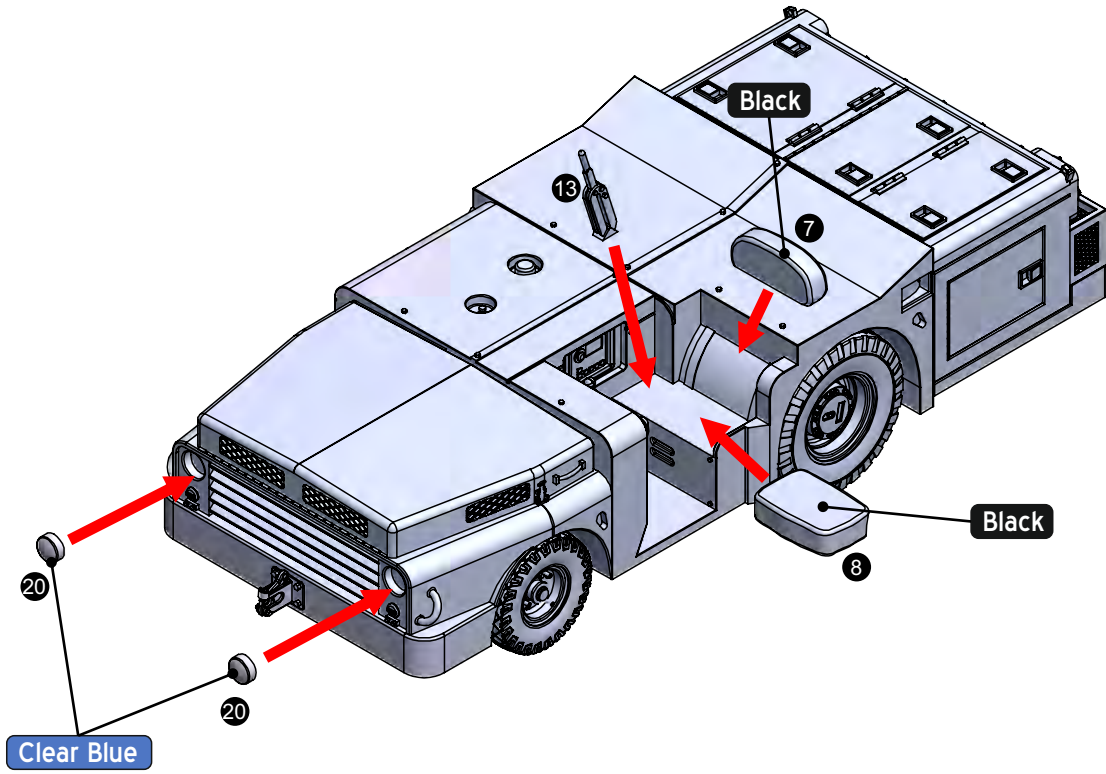
3



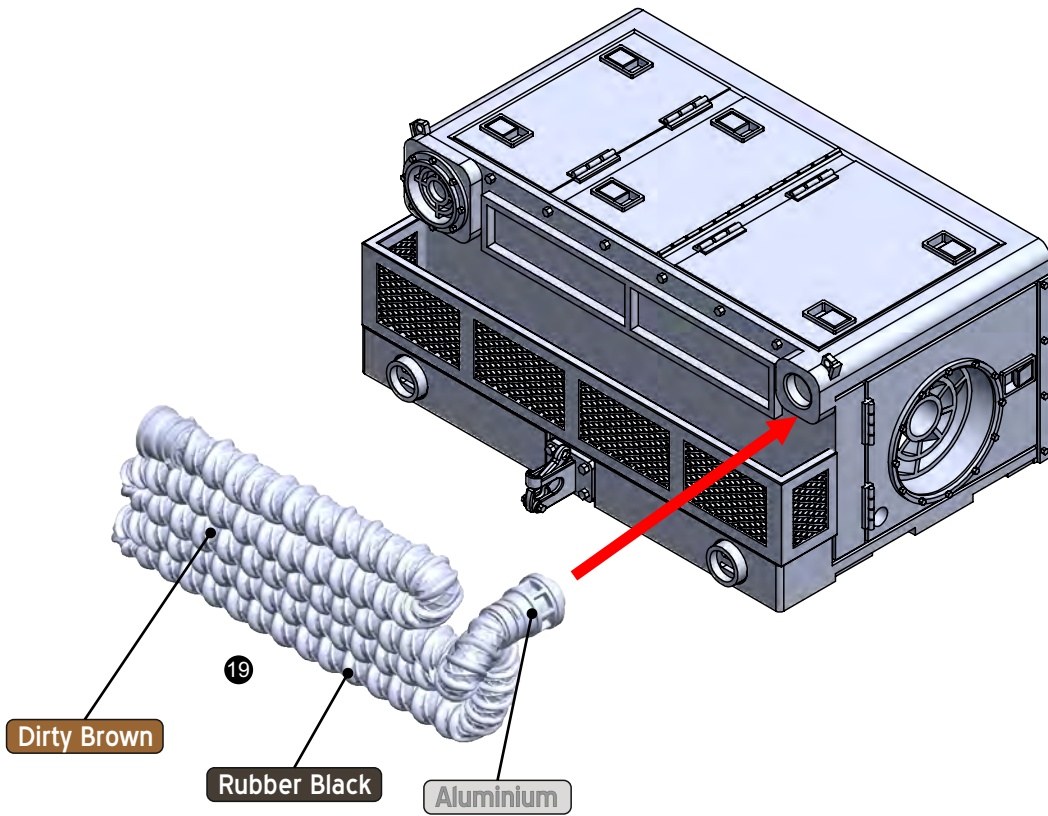
4



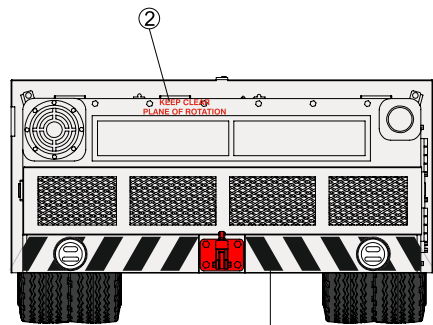
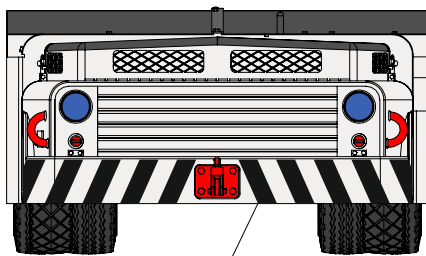
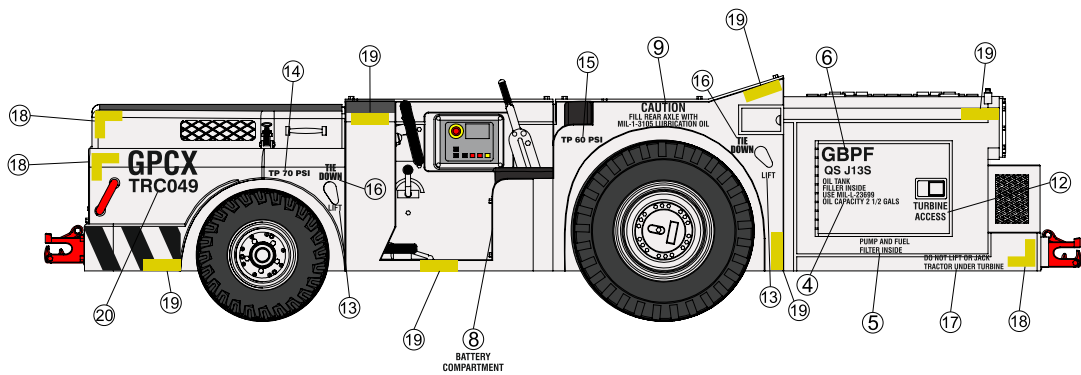
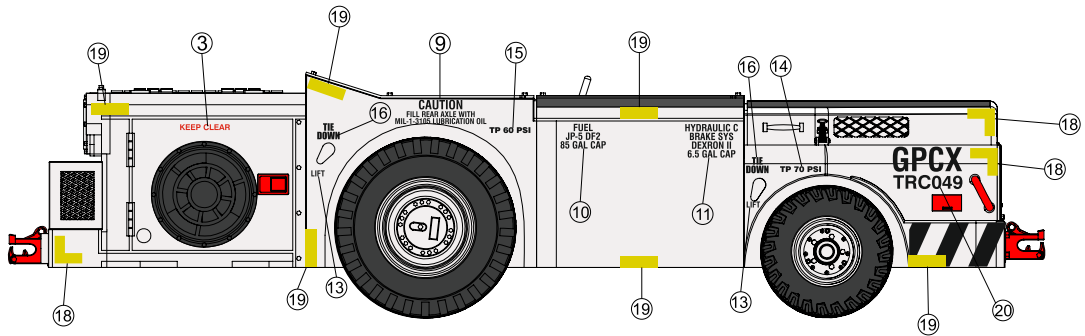
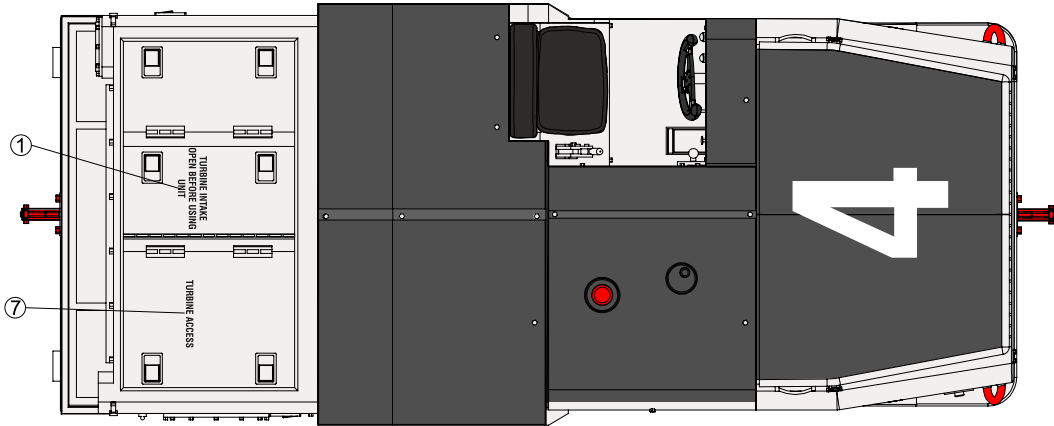
5



6



DECALS & PAINTING



ALL MODEL SATIN WHITE EXCEPT THE ONE SHOW IN THIS PICTURES



