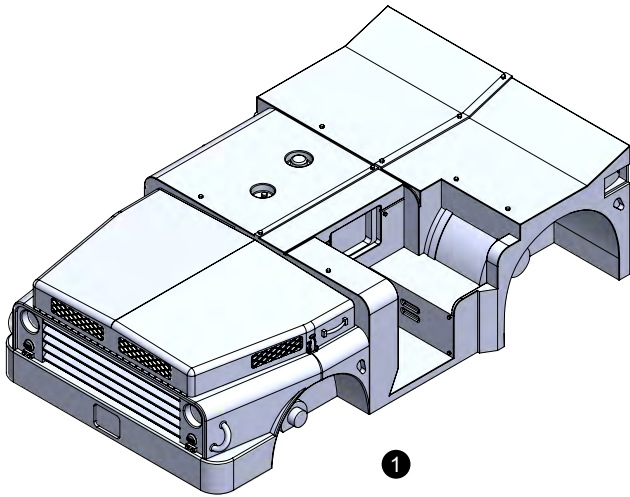
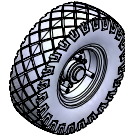


RESIN PARTS

2410932



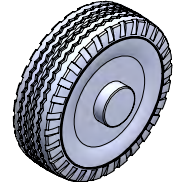
1



2

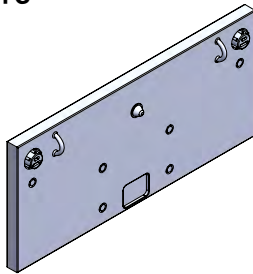


3



4

3D PARTS



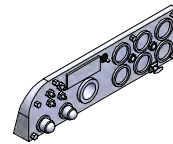
5



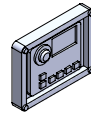
6



7



8



9



10



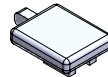
11



12



13



14



15

TRANSPARENT

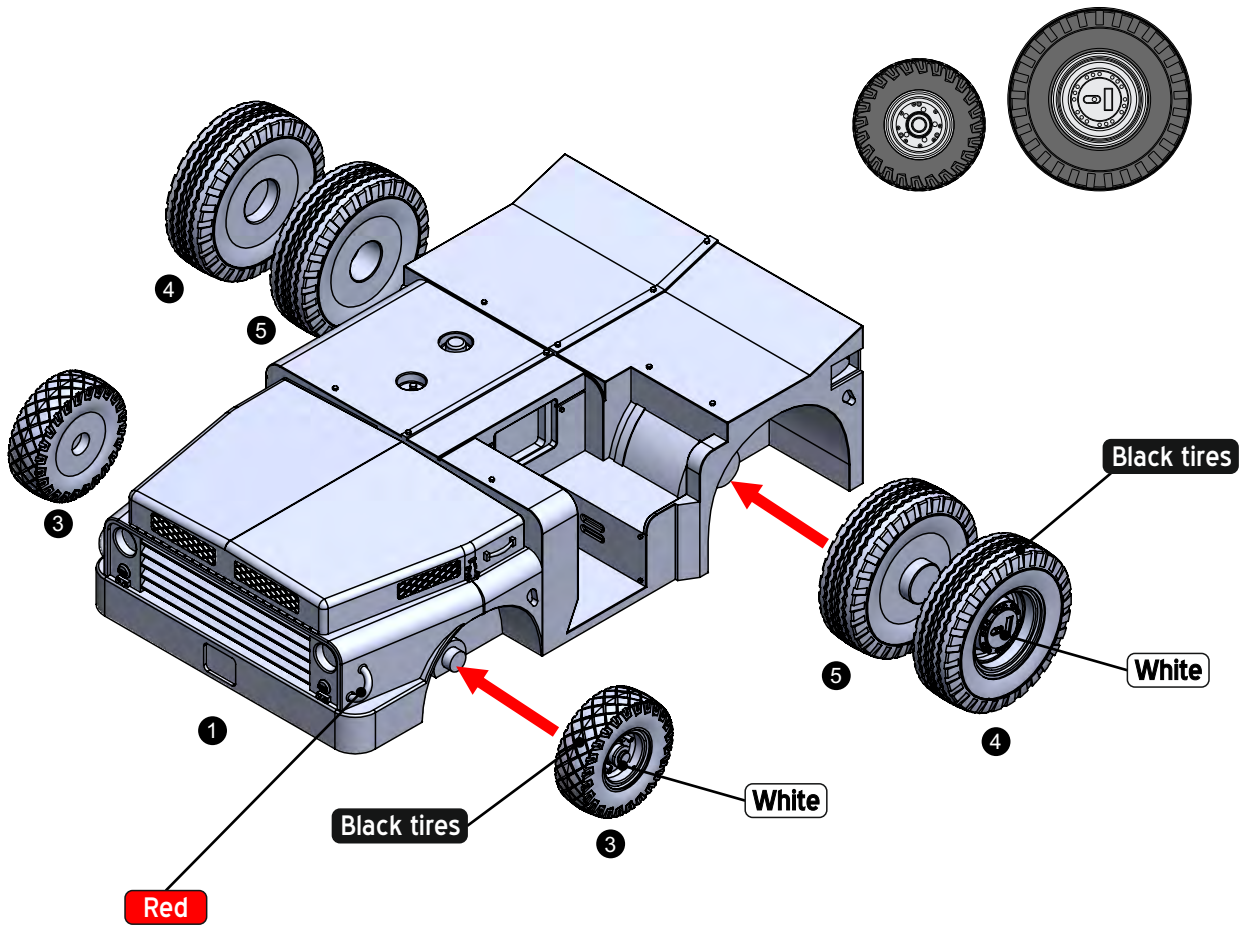


16

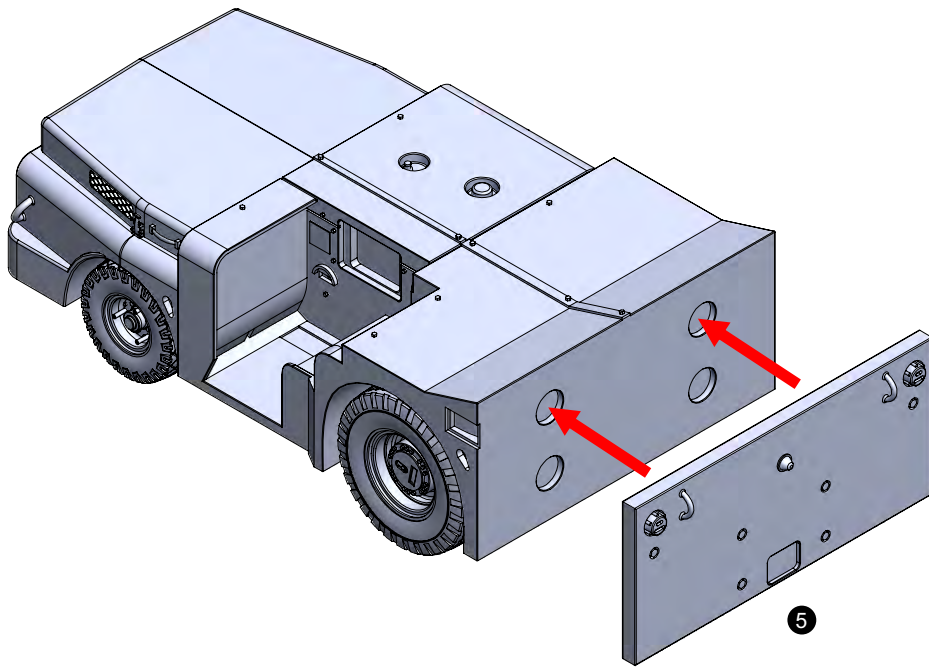
DECALS

<p>1 TURBINE INTAKE OPEN BEFORE USING UNIT</p> <p>2 KEEP CLEAR PLANE OF ROTATION</p> <p>3 KEEP CLEAR</p>	<p>4 OIL TANK FILLED INSIDE USE MIL-15559 OIL CAPACITY 2 1/2 GALS.</p> <p>5 PUMP AND FUEL FILTER INSIDE</p> <p>6 GBPF QS J13S</p> <p>7 TURBINE ACCESS</p> <p>8 BATTERY COMPARTMENT</p>	<p>9 CAUTION FILL REAR GALS WITH MIL-15559 LUBRICATION OIL</p> <p>10 FUEL JP-5 DP2 85 GAL. CAP.</p> <p>11 HYDRAULIC BRAKE SYS DEXRON II 6.5 GAL. CAP.</p> <p>12 TURBINE ACCESS</p>	<p>14 TP 70 PSI</p> <p>15 TP 60 PSI</p> <p>16 TIE DOWN</p> <p>17 DO NOT LIFT OR JACK TRACTOR UNDER TURBINE</p>	<p>18</p> <p>19</p>	<p>20</p> <p>21</p> <p>22</p> <p>23</p>
--	--	--	--	---------------------	---

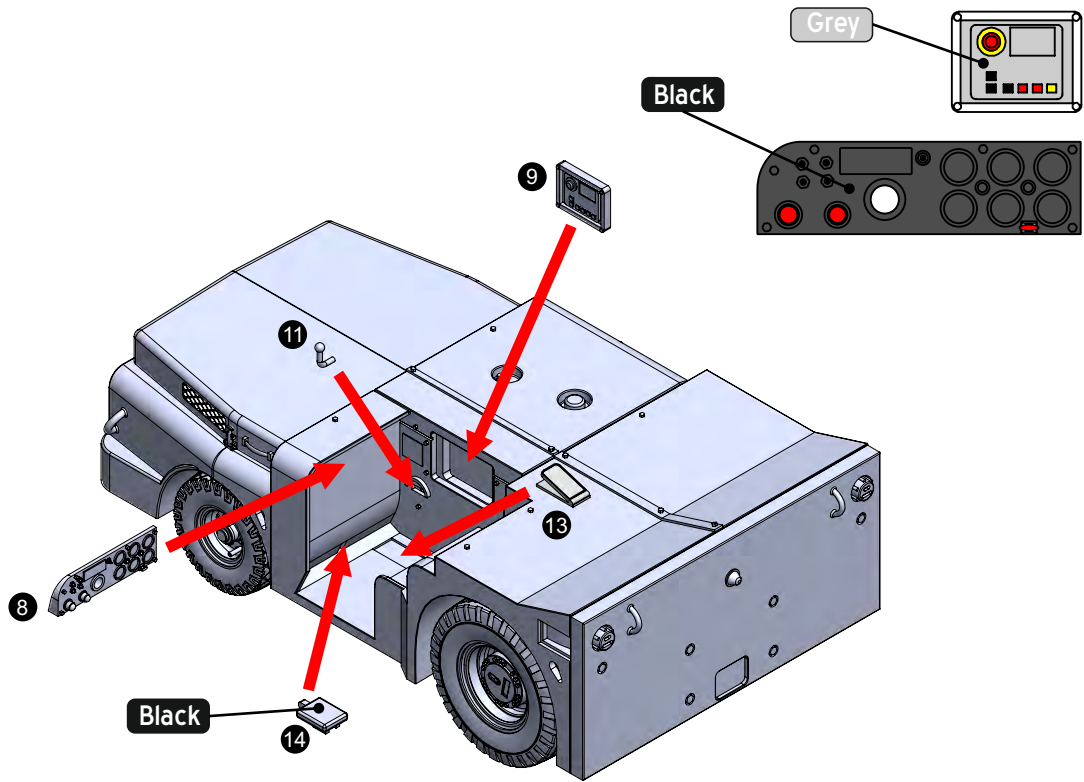
1



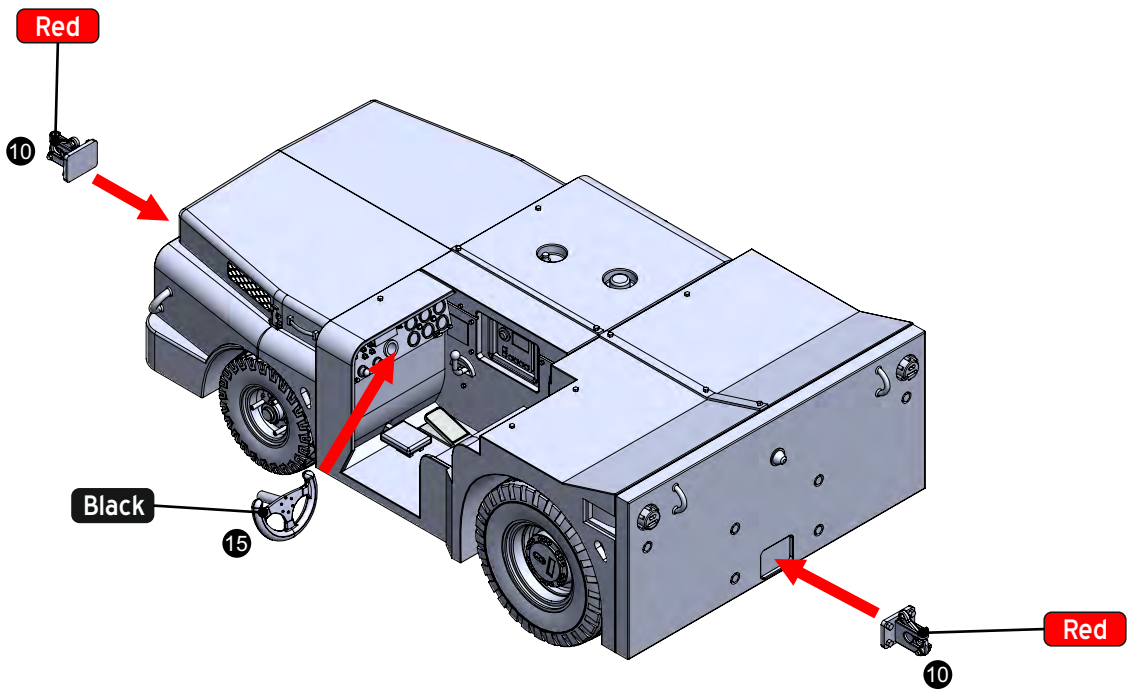
2



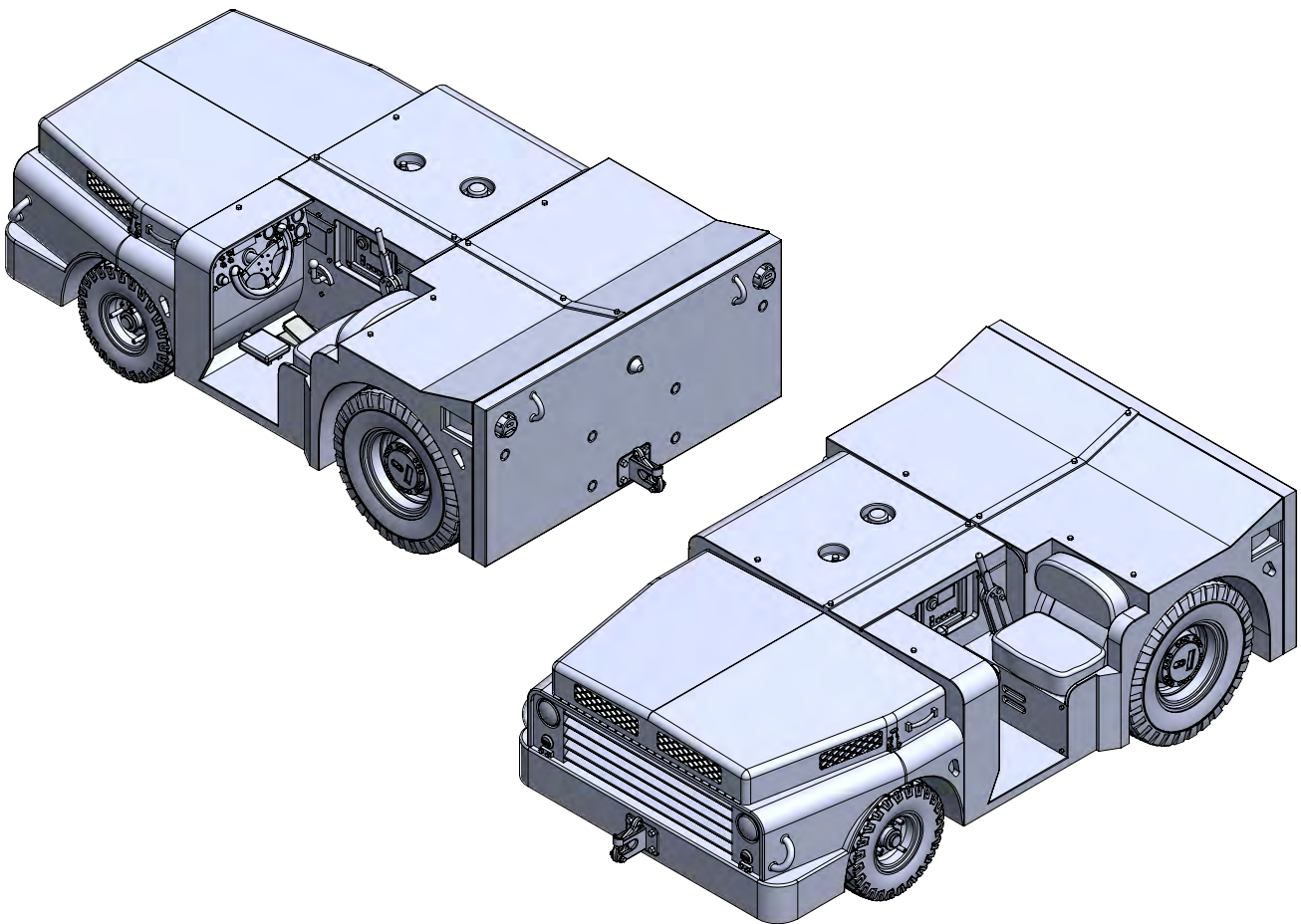
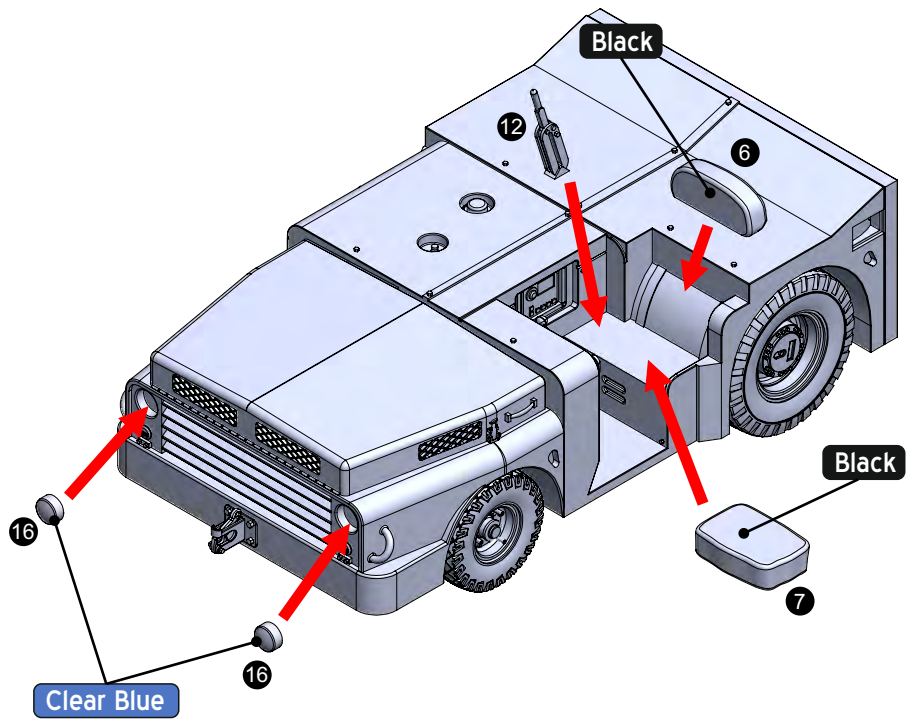
3



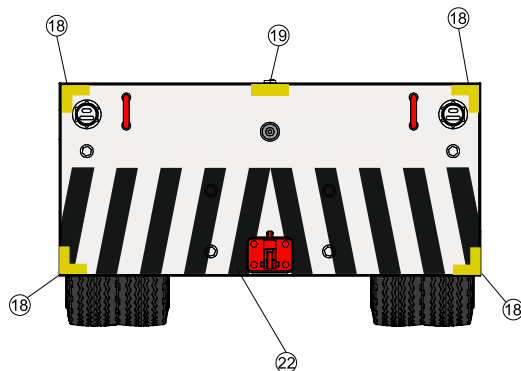
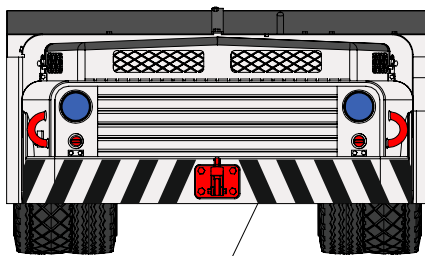
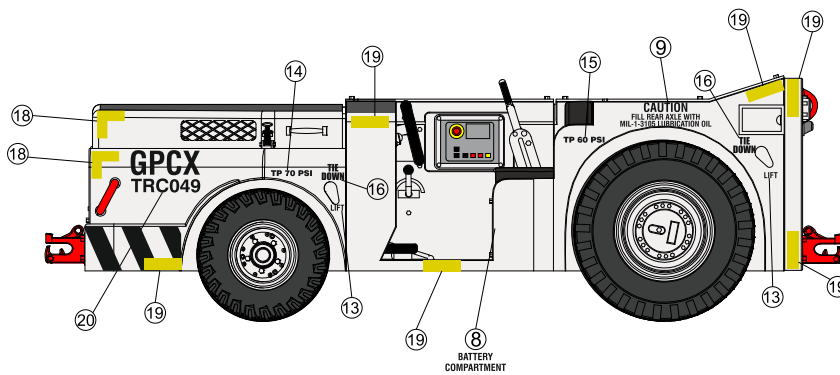
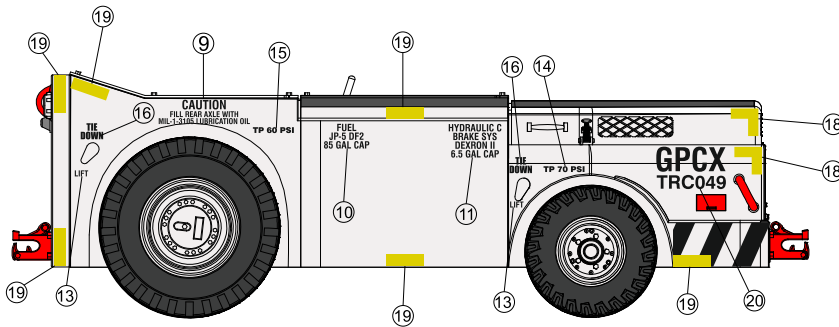
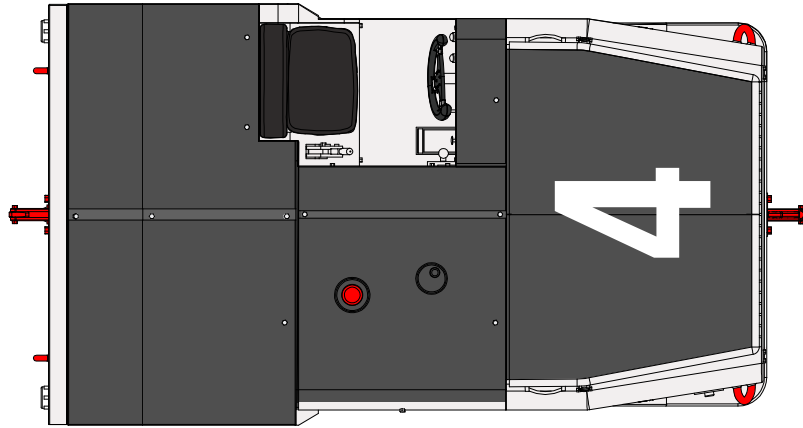
4



5



DECALS & PAINTING



ALL MODEL SATIN WHITE EXCEPT THE ONE SHOW IN THIS PICTURES



