

videoaviation.com

1/72 RESIN MODELLING ACCESSORIES  
MADE IN ITALY

MA-1A AIR COMPRESSOR

DUAL SET

MODEL ASSEMBLY INSTRUCTIONS

MODELLING EXPERIENCE REQUIRED

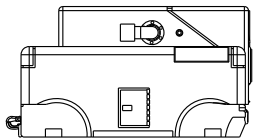
211572

DON'T INHALE RESIN DUST - USE PROPER MASK

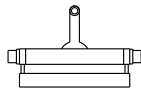
NOT FOR AGE UNDER 10 - THIS IS NOT A TOY

USE SUPER GLUE (CYANOACRYLATE) TO GLUE THE PARTS

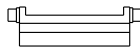
RESIN PARTS



1



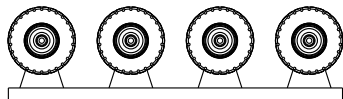
2



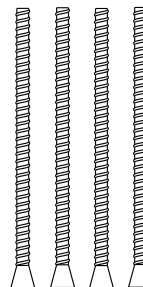
3



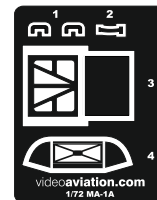
4



5

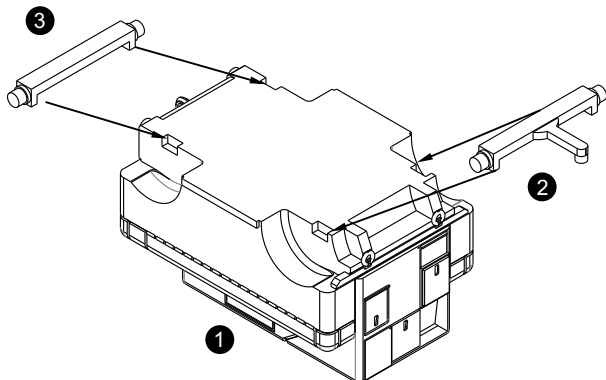


AIR TUBE

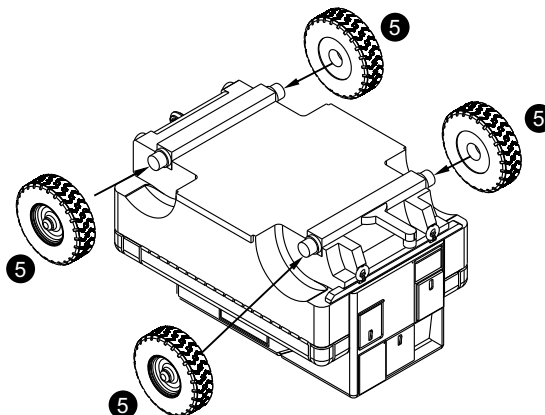


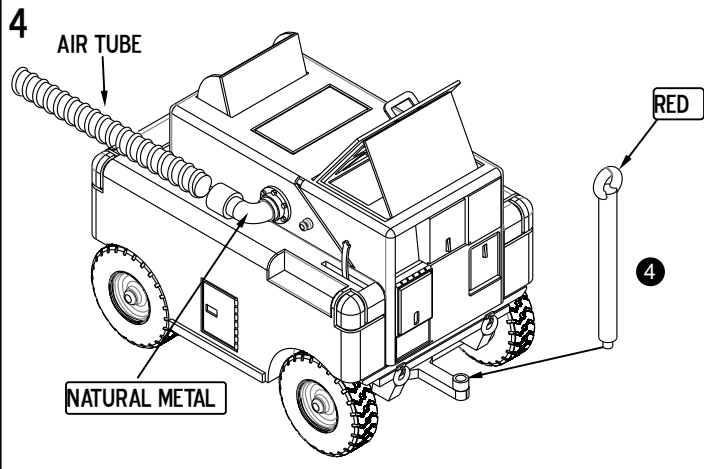
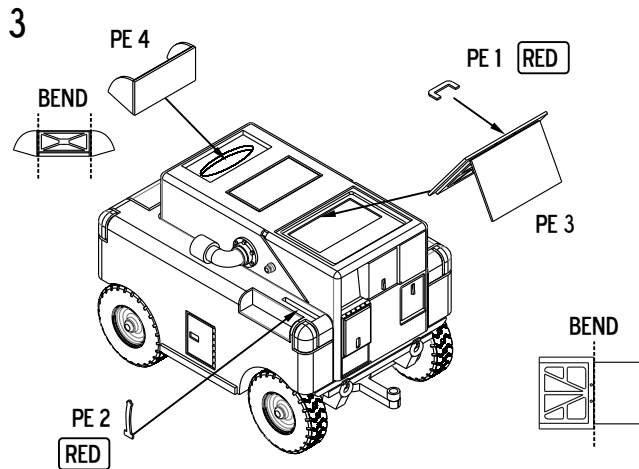
PE SET

1

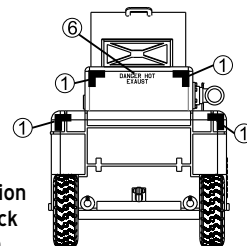
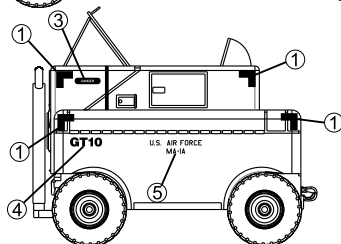
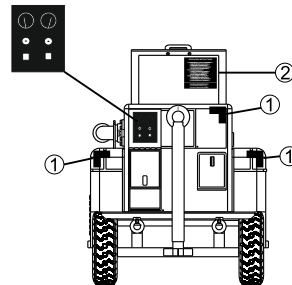
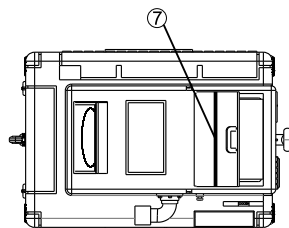
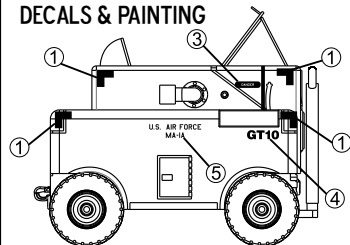


2





**DECALS & PAINTING**



**PAINT OVERALL:**

YELLOW 13538 (GUNZE H-34) EARLY - VIETNAM  
GREEN FS 34079 LATE (1980)

RESIN AIR TUBE: hot bending single pieces with great attention to any breakages, eventually soak in the frozen water to block the fold, glue all the tubes together with cyano, lastly do the painting, very dirty white for tube and black for rubber spiral.



