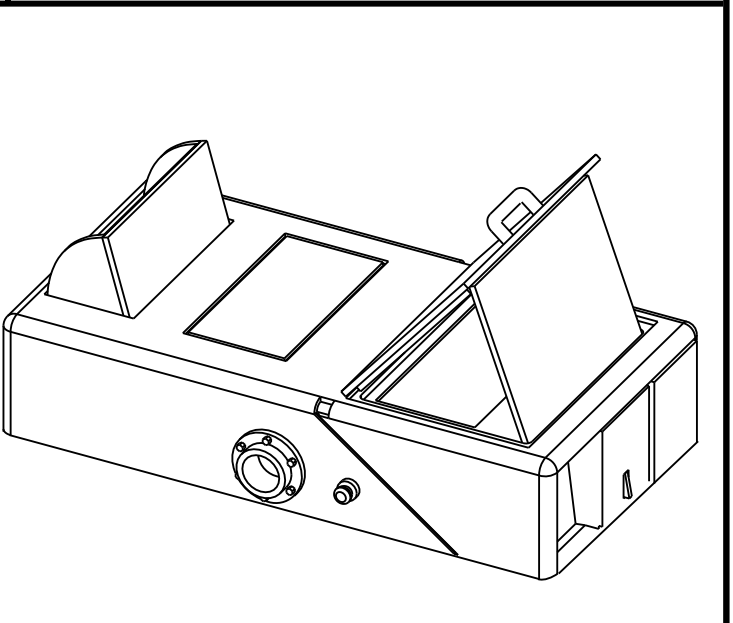
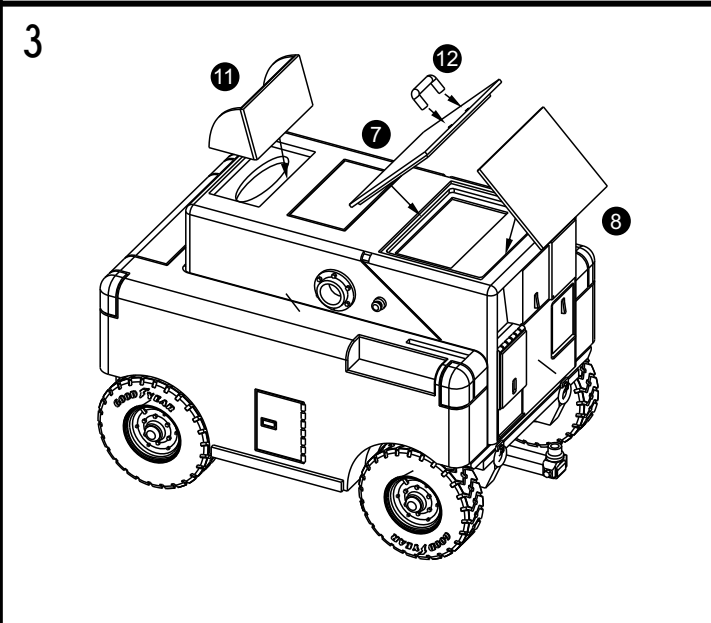
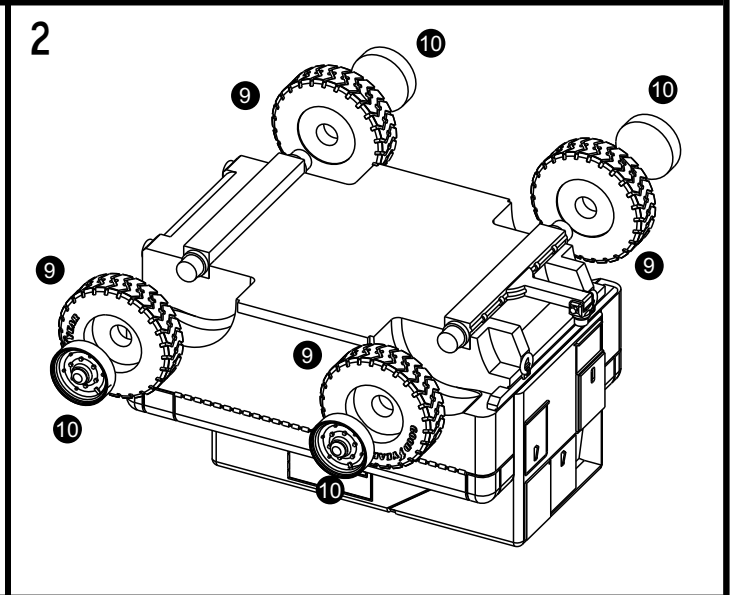
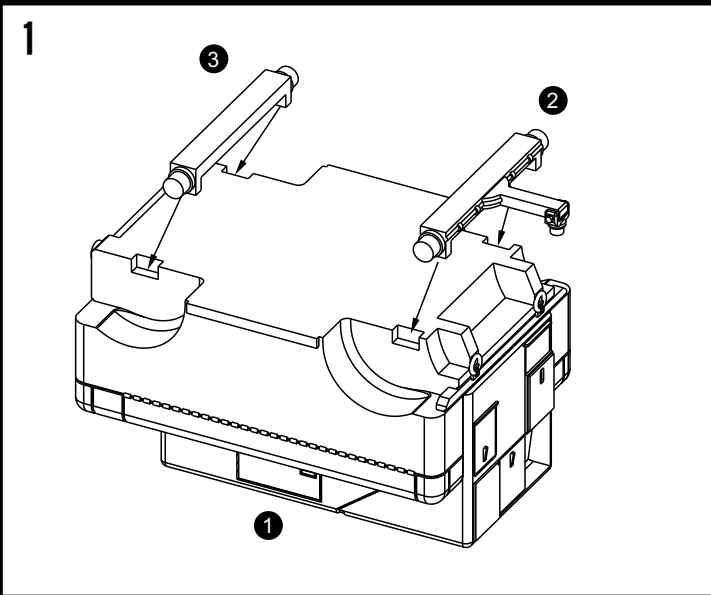
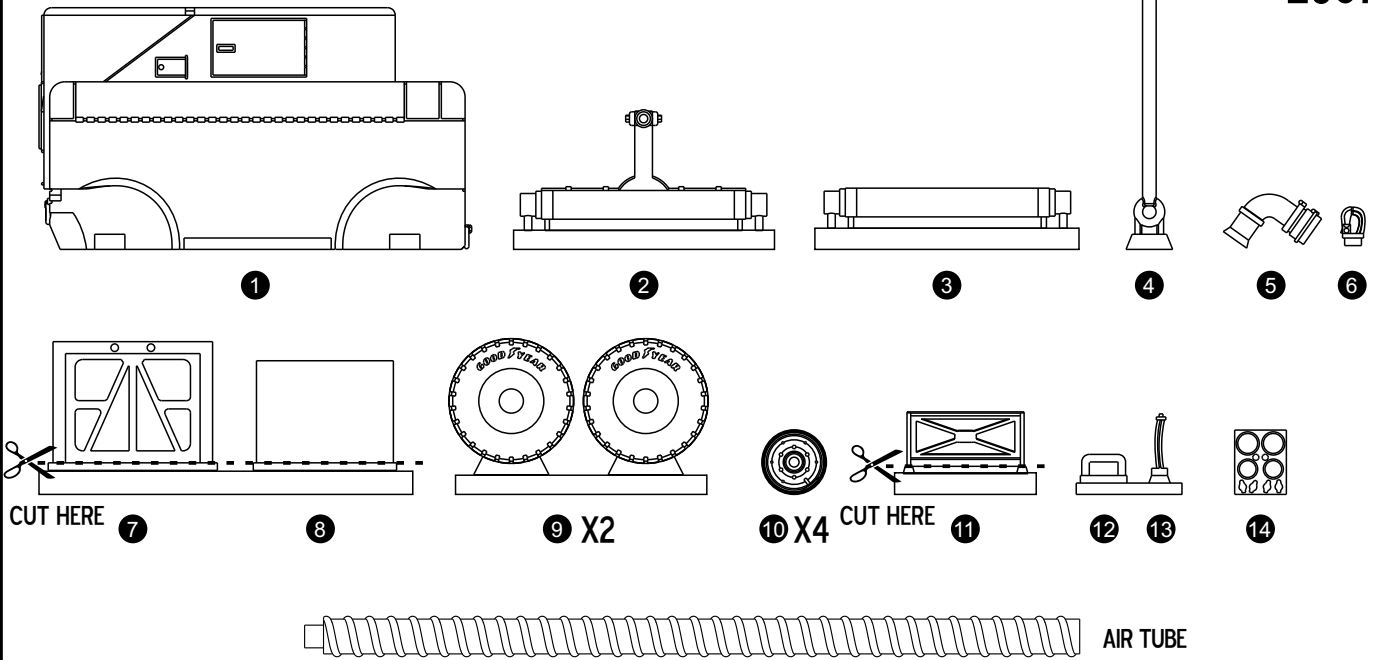
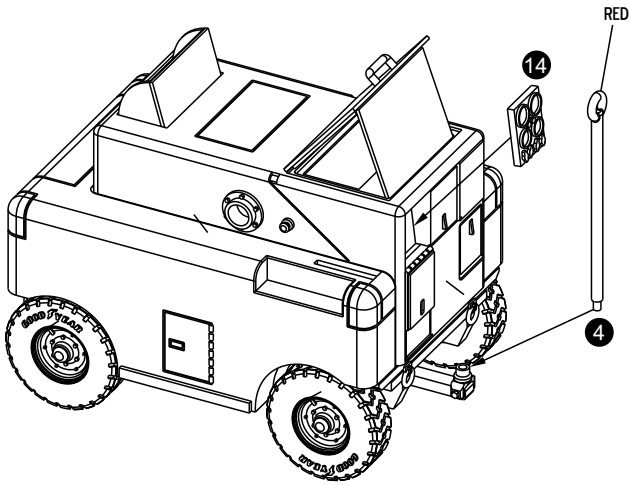


### RESIN PARTS

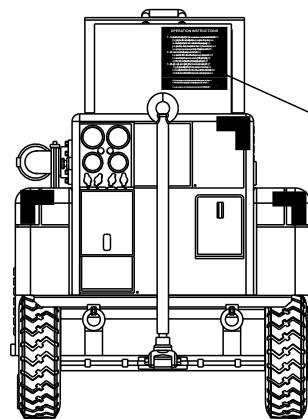
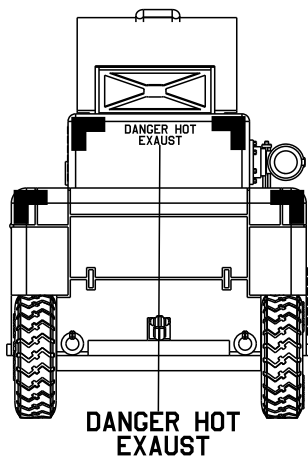
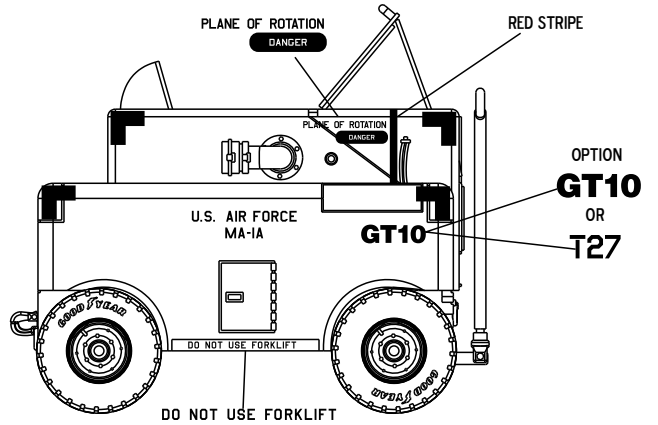
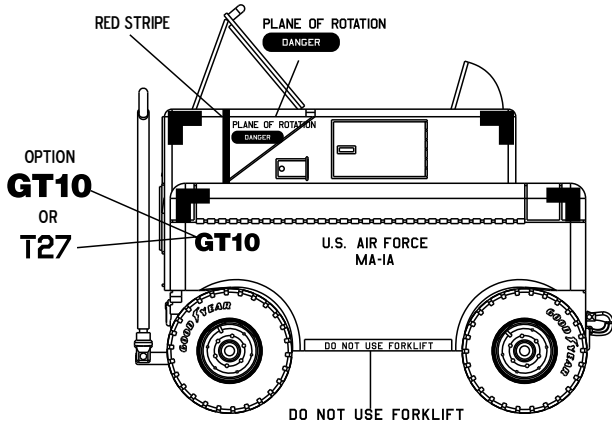
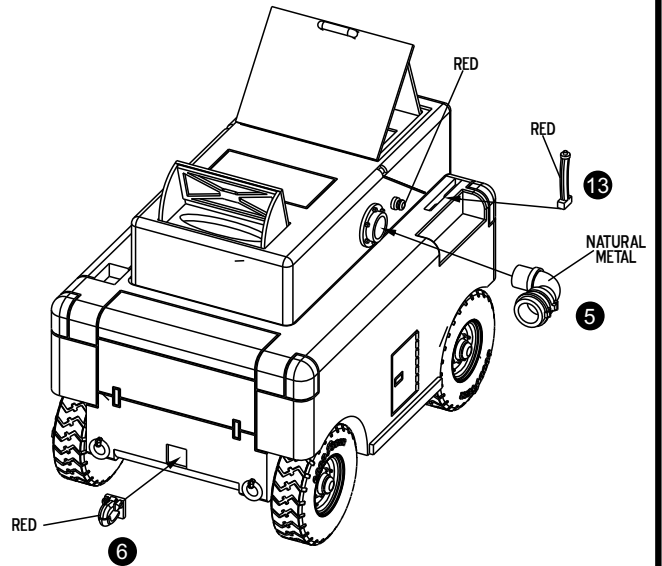
208732



4



5



OPERATION INSTRUCTIONS  
 OPERATION INSTRUCTIONS

**PAINT OVERALL YELLOW 13538 (GUNZE H-34)  
 OR GREEN FS 34079**

RESIN AIR TUBE: hot bending single pieces with great attention to any breakages. eventually soak in the frozen water to block the fold, glue all the tubes together with cyano, lastly do the painting, very dirty white for tube and black for rubber spiral.

