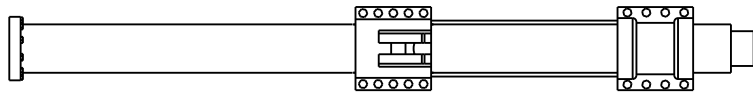
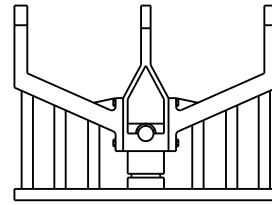


RESIN PARTS

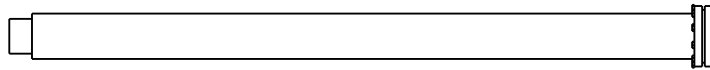
198032



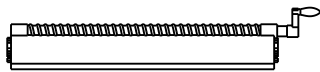
1



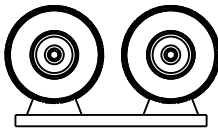
3



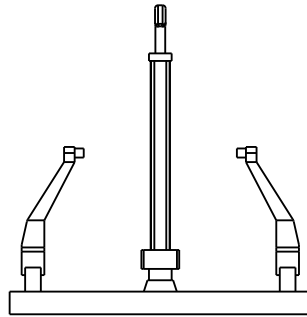
2



4



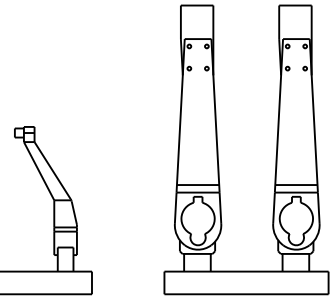
5



6



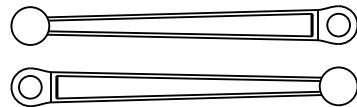
7



8



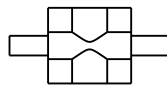
9



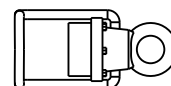
10



11

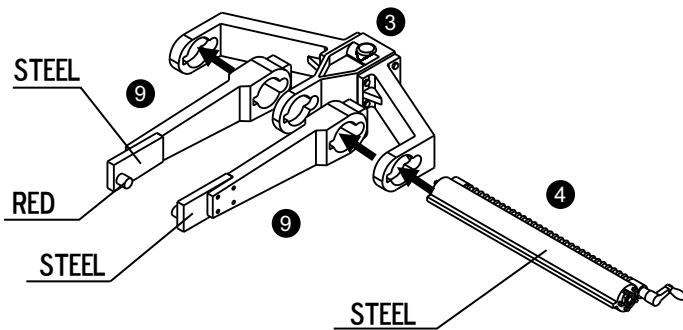


12

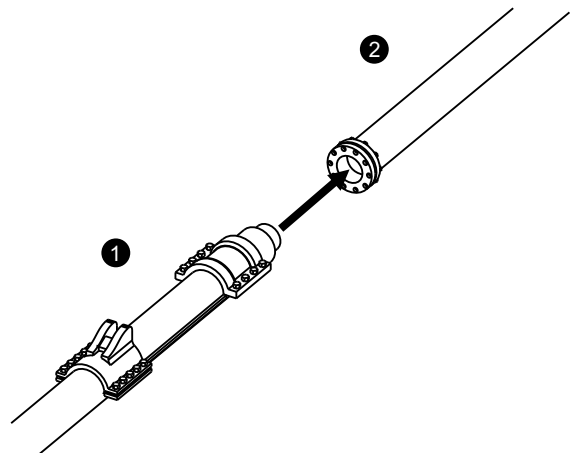


13

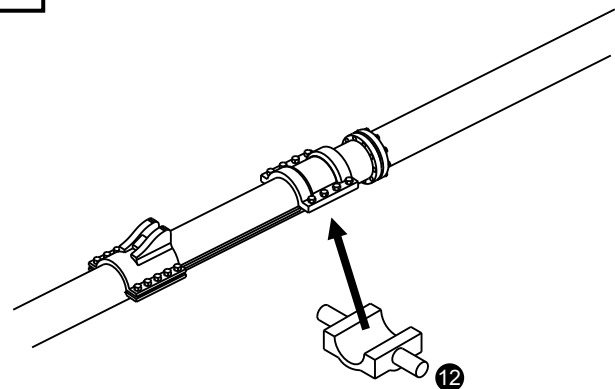
1



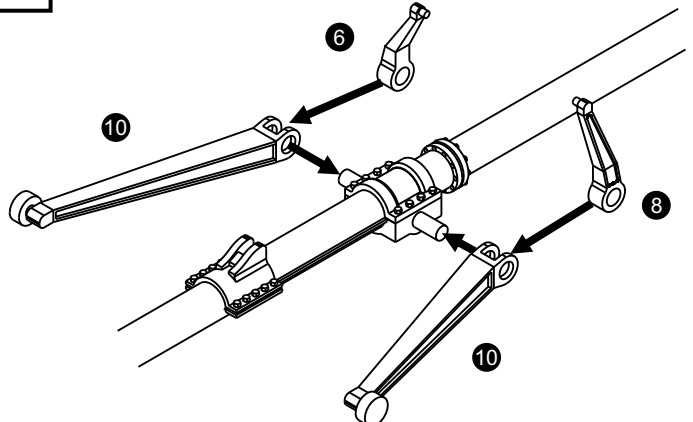
2

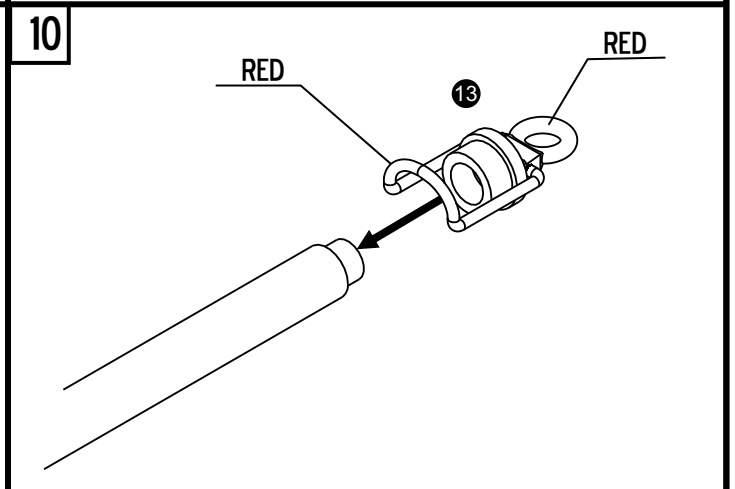
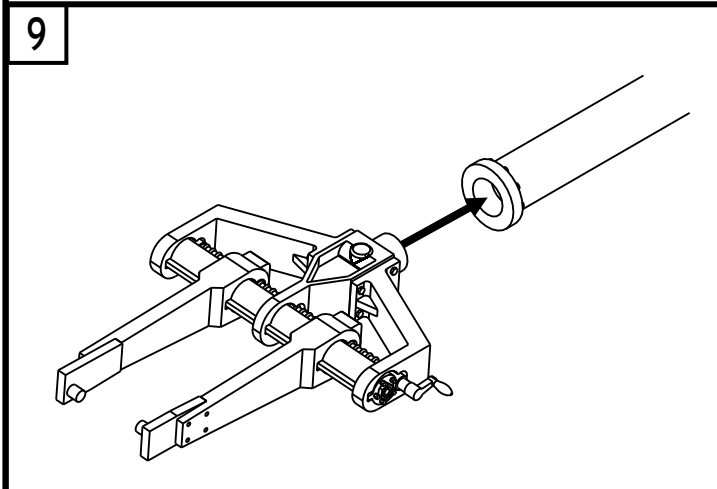
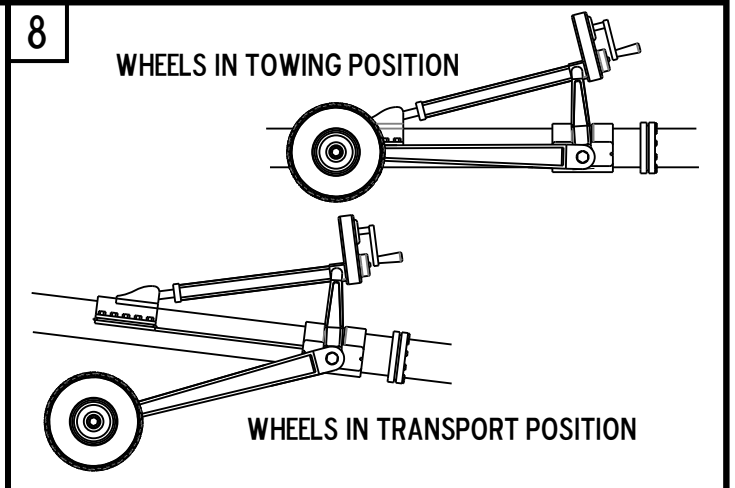
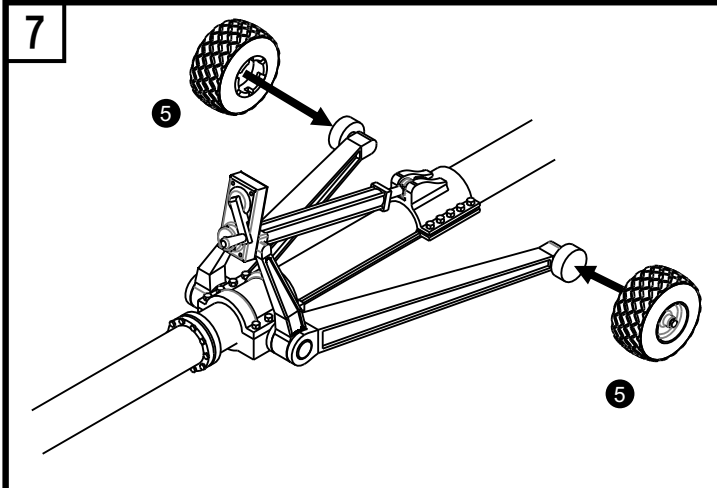
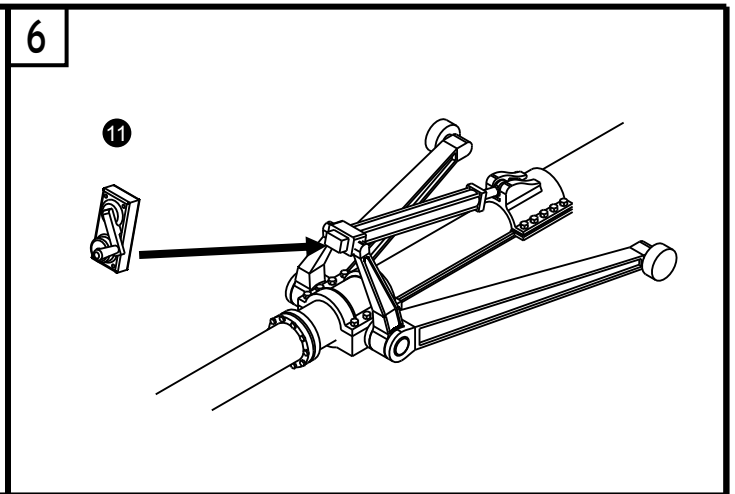
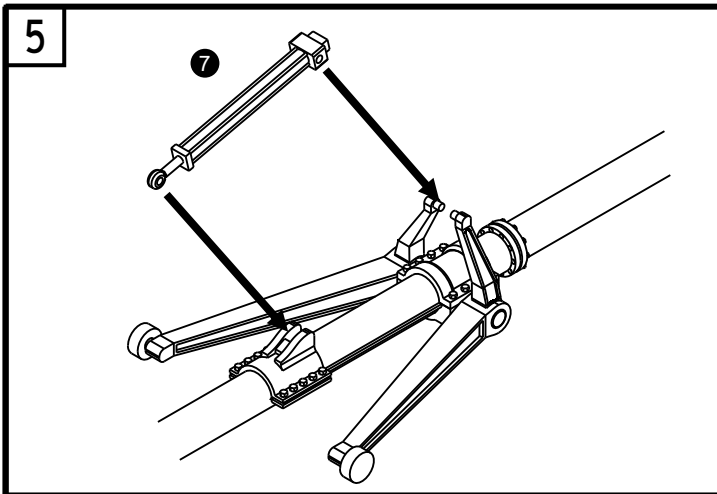


3

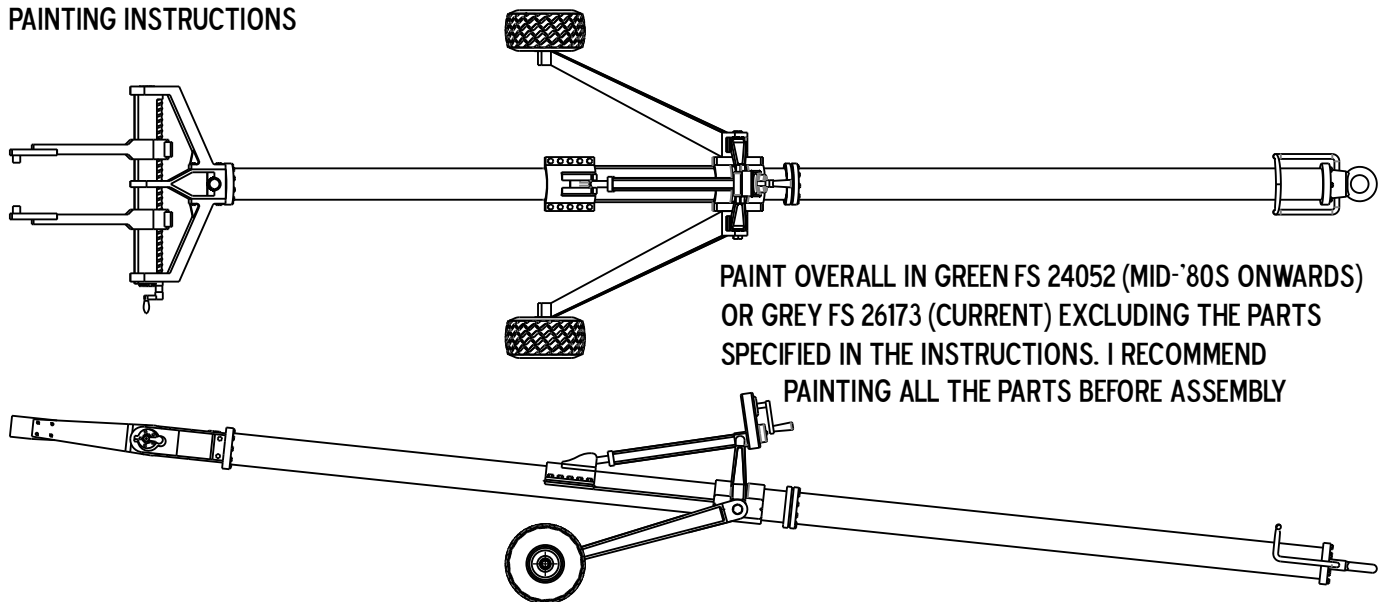


4





PAINTING INSTRUCTIONS



PAINT OVERALL IN GREEN FS 24052 (MID-'80S ONWARDS)
OR GREY FS 26173 (CURRENT) EXCLUDING THE PARTS
SPECIFIED IN THE INSTRUCTIONS. I RECOMMEND
PAINTING ALL THE PARTS BEFORE ASSEMBLY

