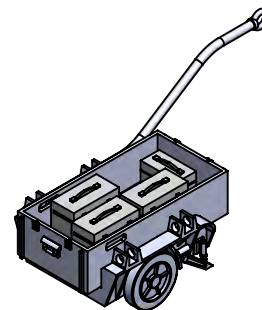
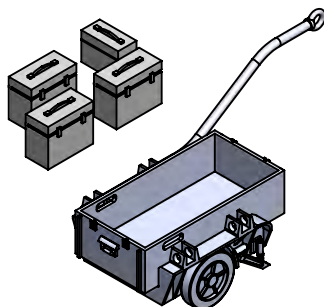
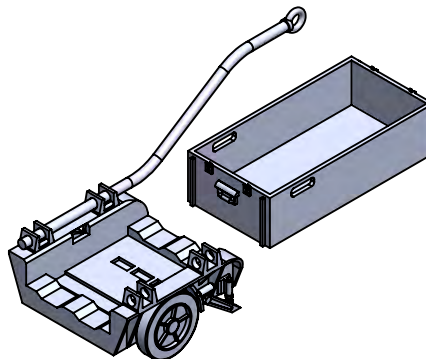
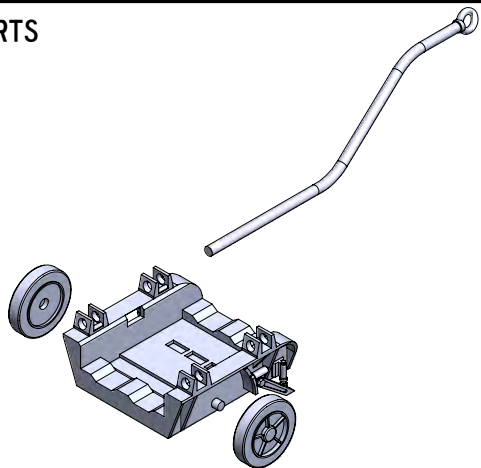


RESIN PARTS



PAINTING ON US NAVY CARRIER:
EARLY: OVERALL YELLOW (GUNZE H34)
LATE: OVERALL WHITE
METAL BOXES: SATIN BLACK

